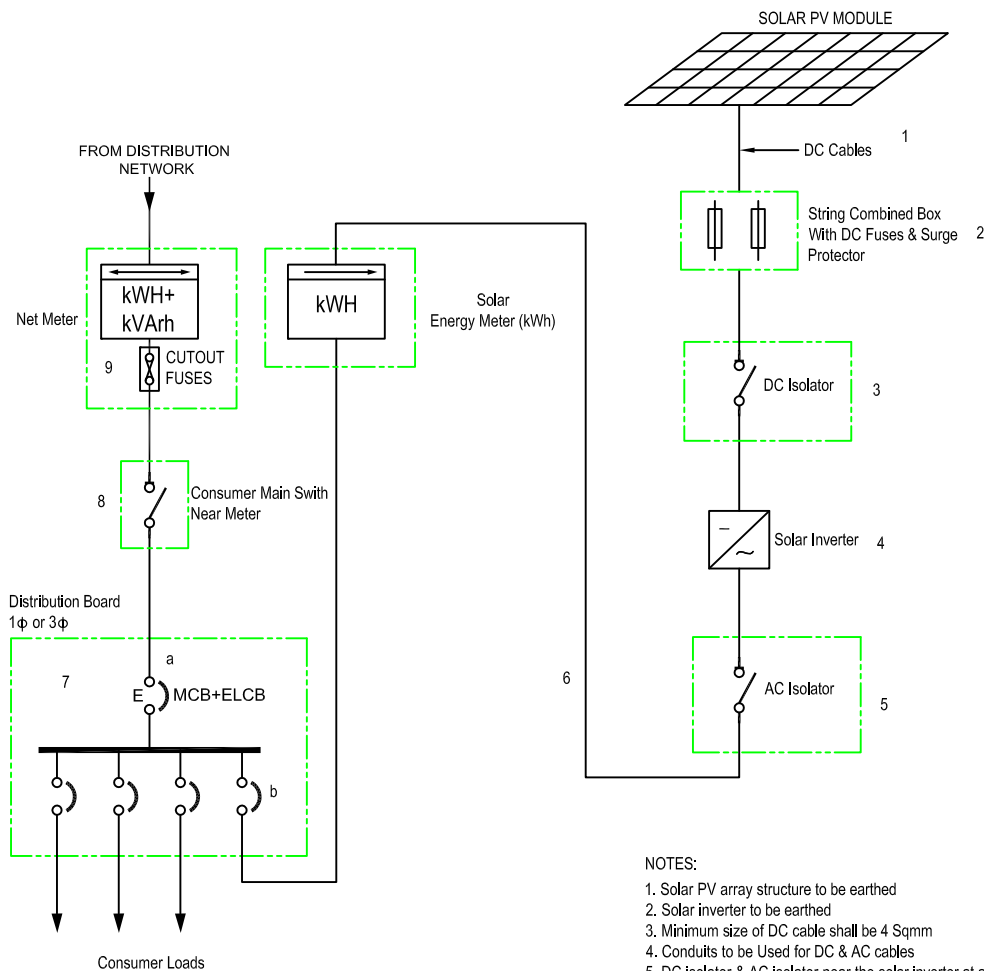


Solar System 5kWp, 3 Phase.



NOTES:

1. Solar PV array structure to be earthed
2. Solar inverter to be earthed
3. Minimum size of DC cable shall be 4 Sqmm
4. Conduits to be Used for DC & AC cables
5. DC isolator & AC isolator near the solar inverter at a height of 2.4M and accessible to utility personnel also
6. Net meter & solar meter at convenient location for reading

GRID CONNECTED SOLAR PV SYSTEM

NOTES:

1. DC Cable: 2C, 4Sq. mm, XLPE / PVC Copper, UV Protected.
2. DC Fuse: 15 Ampere
3. DC Isolator: 16 Ampere
4. Solar Inverter: 5 kVA
5. AC Isolator: 10 Ampere
6. AC Cable: 4C, 4Sq.mm, XLPE / PVC (Copper / Aluminium)
7. Distribution Board (DB): 16 Ampere Double Pole MCB DB(4Way)
 - a. Incomer MCB: 16 Ampere
 - b. Outgoing MCB: 6/10 Ampere
8. Consumer Main Switch: 16 Ampere
9. Cut out fuse.