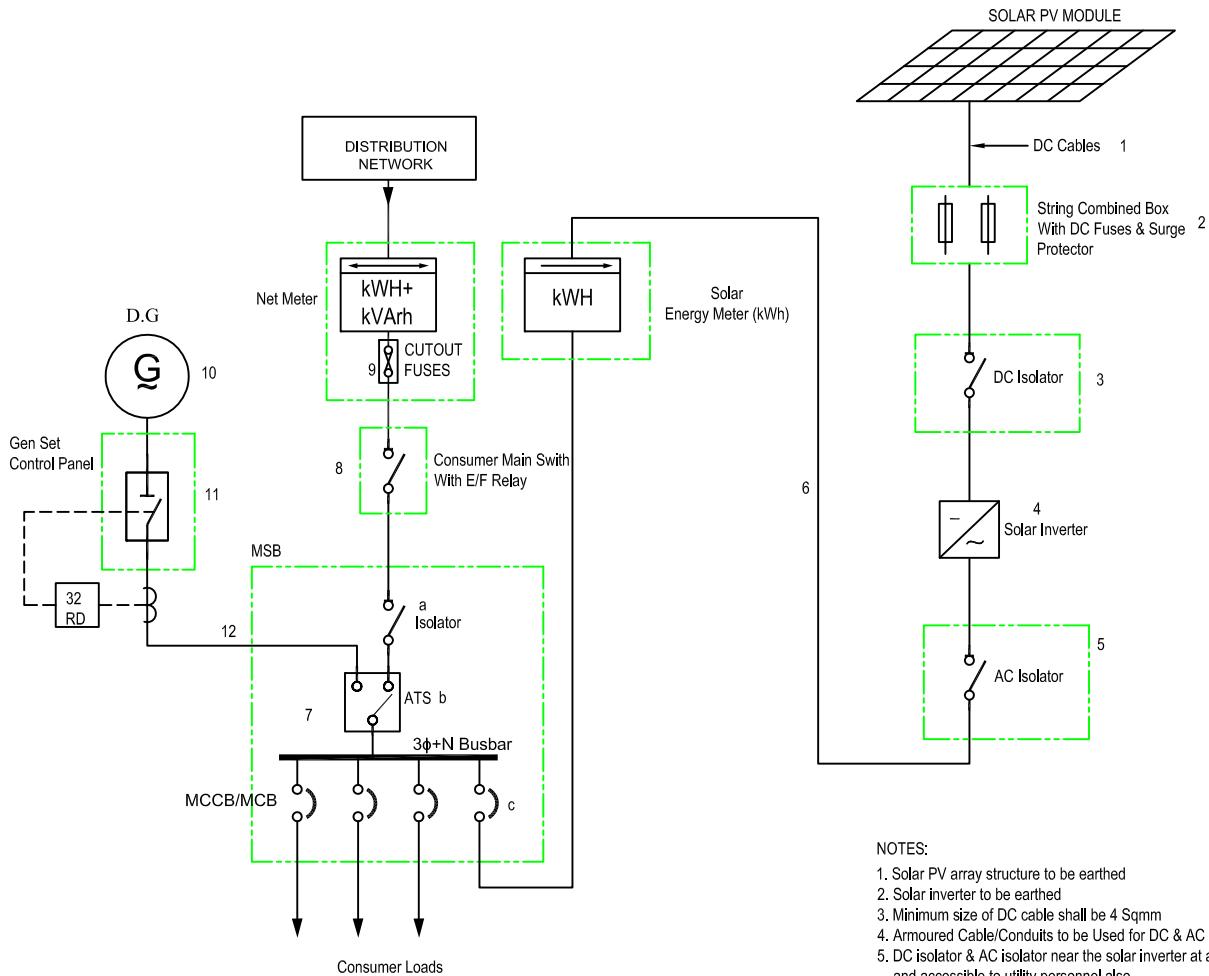


# Solar System 50 kWp, 3 Phase with DG.



**NOTES:**

1. Solar PV array structure to be earthed
2. Solar inverter to be earthed
3. Minimum size of DC cable shall be 4 Sqmm
4. Armoured Cable/Conduits to be Used for DC & AC cables
5. DC isolator & AC isolator near the solar inverter at a height of 2.4M and accessible to utility personnel also
6. Net meter & solar meter at convenient location for reading
7. DG set to have electronic governer & AVR
8. Reverse power relay required for DG set

**GRID TIED SOLAR POWER SYSTEM WITH DG BACK UP**

**NOTES:**

1. DC Cable: 2C, 50 Sq. mm, XLPE / 70 Sq.mm. PVC Copper, UV protected.
2. DC Fuse: 125 Ampere
3. DC Isolator: 125 Ampere
4. Solar Invertor: 50 kVA
5. AC Isolator: 125Ampere
6. AC Cable: 4C, 25/50q.mm, XLPE / PVC (Copper / Aluminium)
7. Main Switch Board (MSB): 100 Ampere TPN MCCB DB (4Way)
  - a. Incomer MCCB Isolator: 100 Ampere, 4 way
  - b. ATS: 63 Ampere
  - c. Outgoing MCB: 6/10/25/32 Ampere
8. Consumer Main Switch: 100 Ampere
9. Cut out fuse.
10. Generator: 415V, 50Hz, 3 Phase, 50kVA
11. MCCB: 100 Ampere
12. Cable: 4C, 50 Sq.mm., AYFY