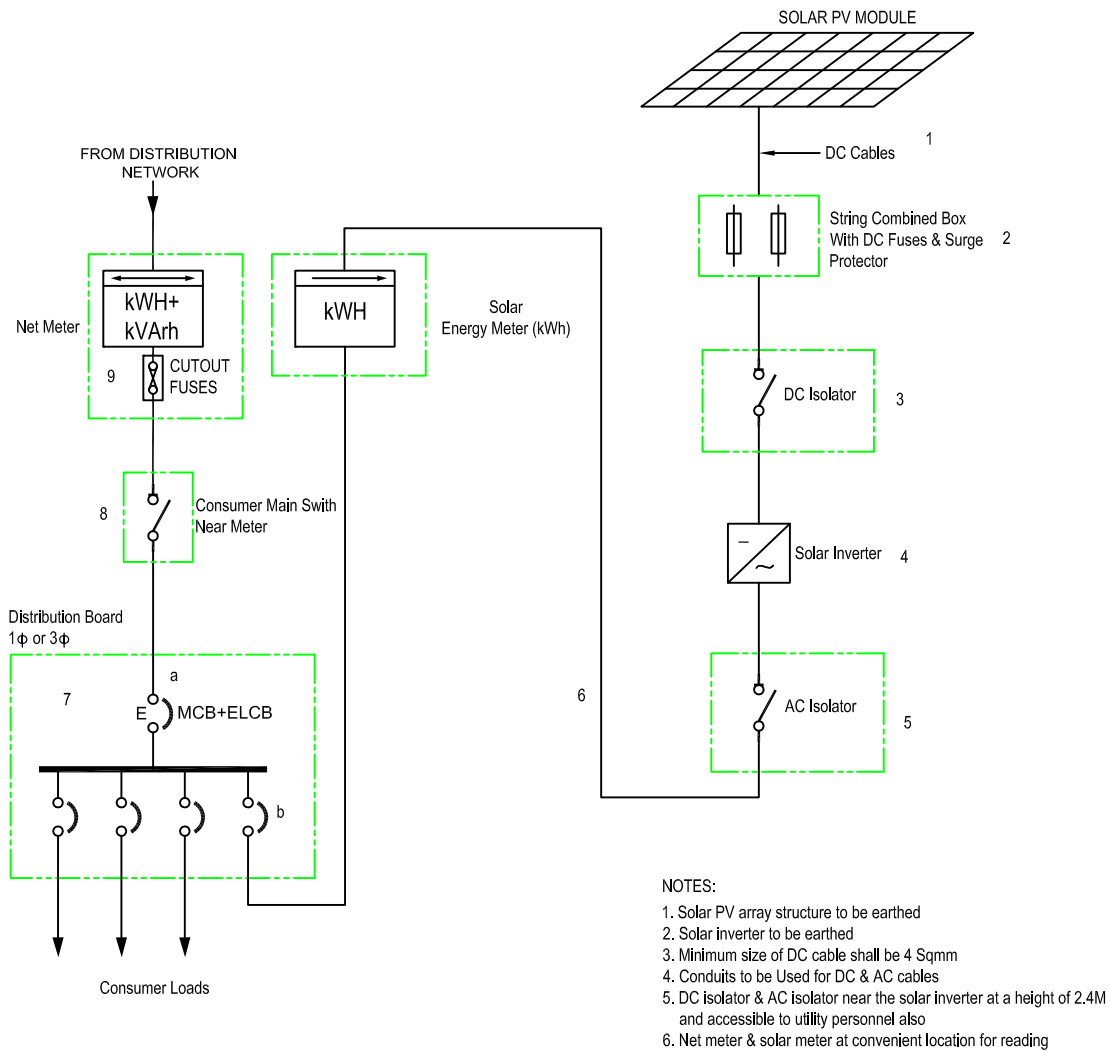


# Solar System 40 kWp, 3 Phase.



## GRID CONNECTED SOLAR PV SYSTEM

### NOTES:

1. DC Cable: 2C, 35 Sq. mm, XLPE / 50 Sq.mm. PVC Copper, UV Protected.
2. DC Fuse: 100 Ampere
3. DC Isolator: 125 Ampere
4. Solar Invertor: 40 kVA
5. AC Isolator: 63 Ampere
6. AC Cable: 4C, 16/35 Sq.mm, XLPE / PVC (Copper / Aluminium)
7. Distribution Board (DB): 63 Ampere TPN MCCB DB (4Way)
  - a. Incomer MCCB: 63 Ampere
  - b. Outgoing MCB: 6/10/16/25 Ampere
8. Consumer Main Switch: 63 Ampere
9. Cut out fuse.