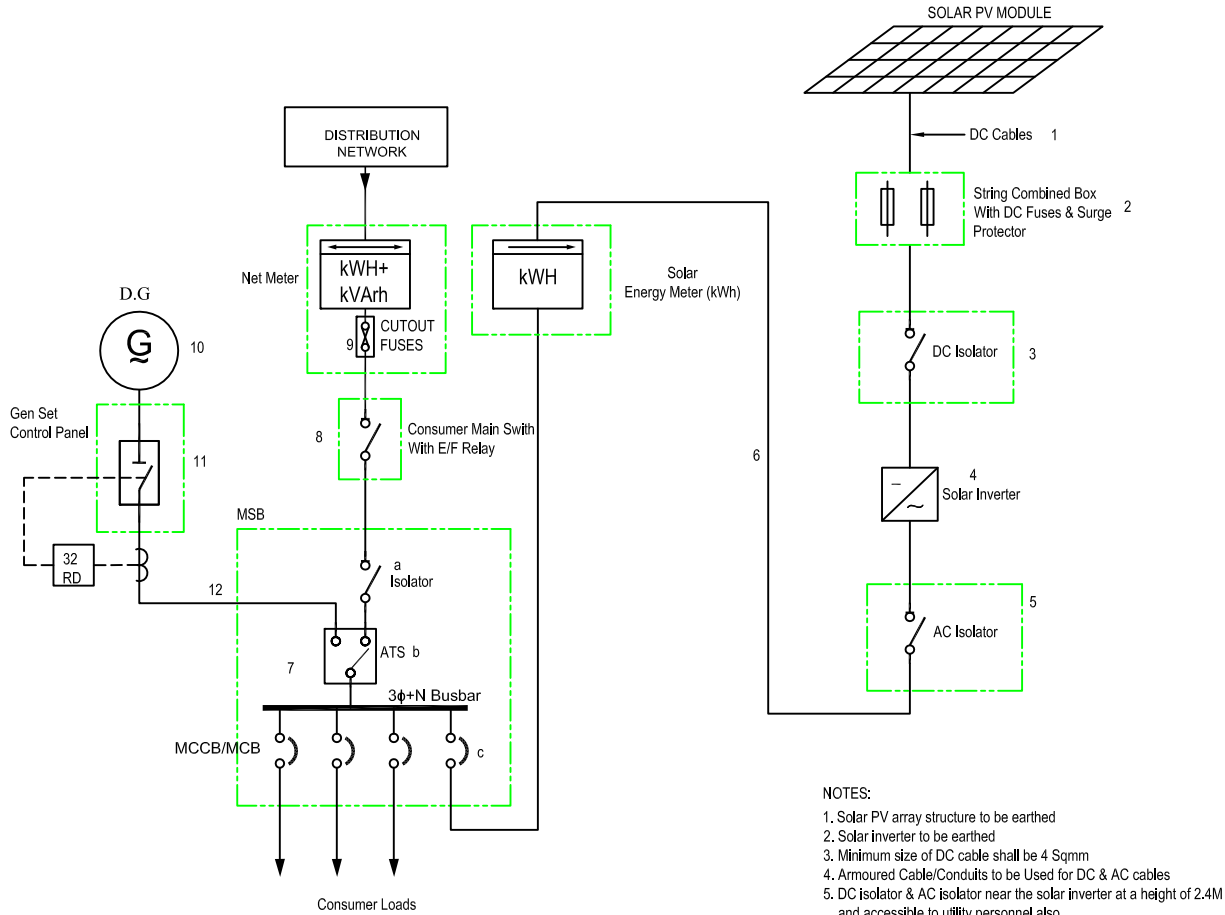


# Solar System 3kWp, Single Phase with DG.



- NOTES:
1. Solar PV array structure to be earthed
  2. Solar inverter to be earthed
  3. Minimum size of DC cable shall be 4 Sqmm
  4. Armoured Cable/Conduits to be used for DC & AC cables
  5. DC isolator & AC isolator near the solar inverter at a height of 2.4M and accessible to utility personnel also
  6. Net meter & solar meter at convenient location for reading
  7. DG set to have electronic governor & AVR
  8. Reverse power relay required for DG set

**GRID TIED SOLAR POWER SYSTEM WITH DG BACK UP**

- NOTES:
1. DC Cable: 2C, 4Sq. mm, XLPE / PVC Copper, UV protected.
  2. DC Fuse: 8 Ampere
  3. DC Isolator: 10 Ampere
  4. Solar Invertor: 3 kVA
  5. AC Isolator: 16 Ampere
  6. AC Cable: 4C, 4Sq.mm, XLPE / PVC (Copper / Aluminium)
  7. Main Switch Board (MSB): 16 Ampere Double Pole MCB DB (4Way)
    - a. Incomer MCB Isolator: 16 Ampere, 4 way
    - b. ATS: 16 Ampere
    - c. Outgoing MCB: 6/10 Ampere
  8. Consumer Main Switch: 16 Ampere
  9. Cut out fuse.
  10. Generator: 240V, 50Hz, Single Phase, 3kVA
  11. MCB: 16 Ampere
  12. Cable: 2C, 4 Sq.mm., AYFY

PRODUCED BY AN AUTODESK EDUCATIONAL PRODUCT

PRODUCED BY AN AUTODESK EDUCATIONAL PRODUCT