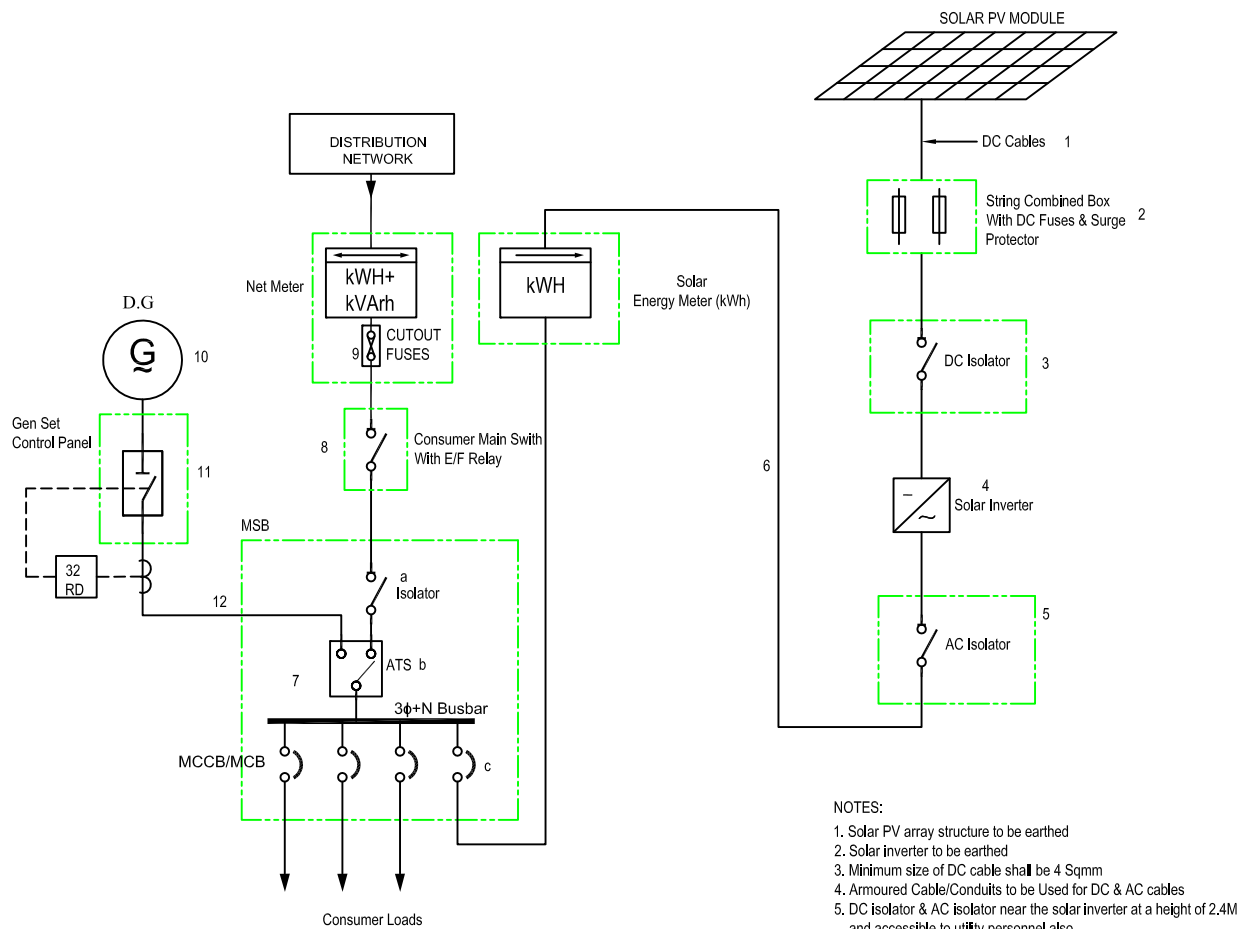


Solar System 2kWp, Single Pahse with DG



NOTES:

1. Solar PV array structure to be earthed
2. Solar inverter to be earthed
3. Minimum size of DC cable shall be 4 Sqmm
4. Armoured Cable/Conduits to be Used for DC & AC cables
5. DC isolator & AC isolator near the solar inverter at a height of 2.4M and accessible to utility personnel also
6. Net meter & solar meter at convenient location for reading
7. DG set to have electronic governer & AVR
8. Reverse power relay required for DG set

GRID TIED SOLAR POWER SYSTEM WITH DG BACK UP

NOTES:

1. DC Cable: 2C, 4Sq. mm, XLPE / PVC Copper, UV protected.
2. DC Fuse: 5 Ampere
3. DC Isolator: 6 Ampere
4. Solar Invertor: 2 kVA
5. AC Isolator: 10 Ampere
6. AC Cable: 4C, 4Sq.mm, XLPE / PVC (Copper / Aluminium)
7. Main Switch Board (MSB): 10 Ampere Double Pole MCB DB (4Way)
 - a. Incomer MCB Isolatoe: 10 Ampere, 4 way
 - b. ATS: 10 Ampere
 - c. Outgoing MCB: 6 Ampere
8. Consumer Main Switch: 16 Ampere
9. Cut out fuse.
10. Generator: 240V, 50Hz, Single Phase, 2kVA
11. MCB: 10 Ampere
12. Cable: 2C, 4 Sq.mm.