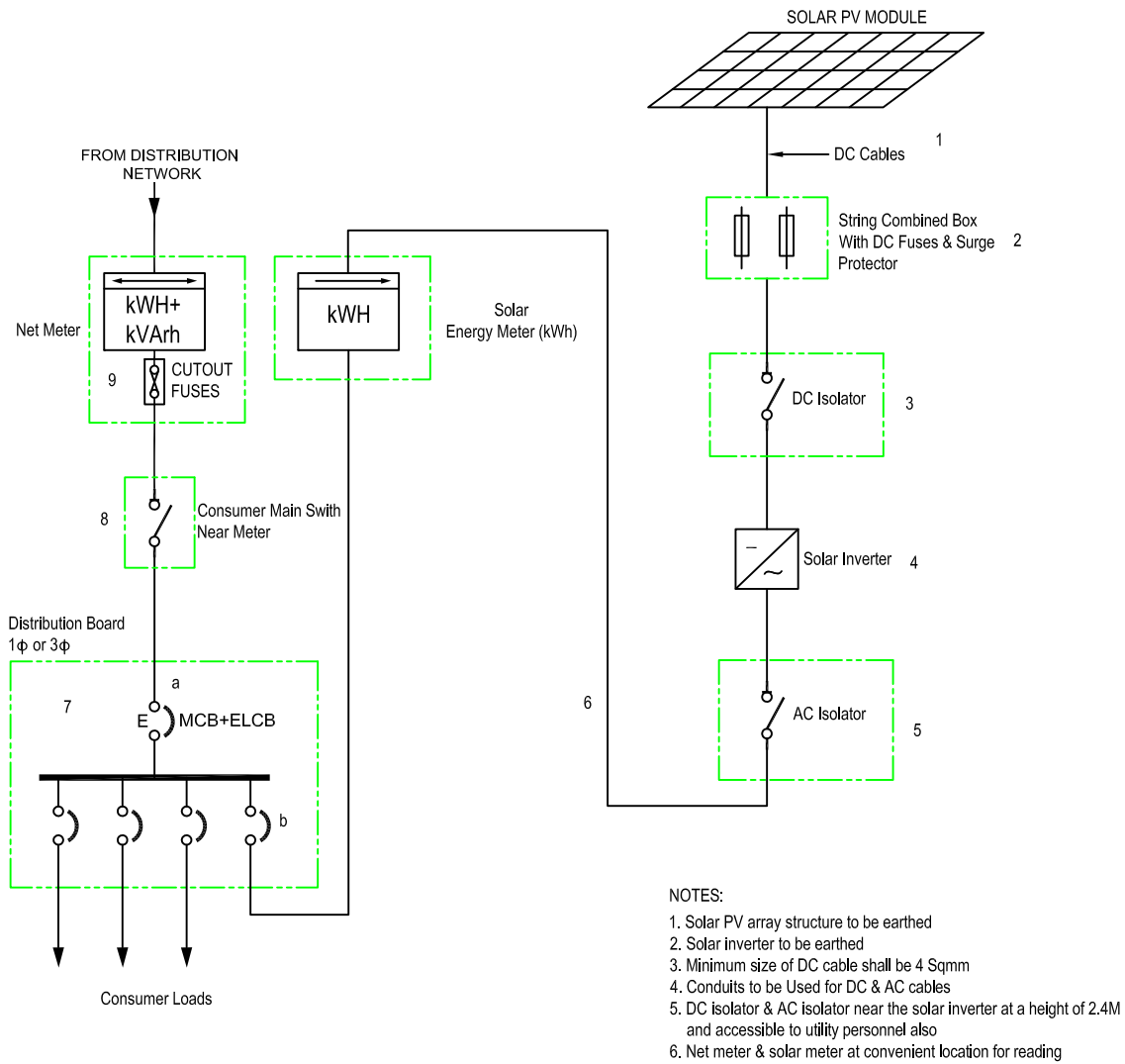


Solar System 20 kWp, 3 Phase.



GRID CONNECTED SOLAR PV SYSTEM

NOTES:

1. DC Cable: 2C, 10 Sq. mm, XLPE / 16Sq.mm. PVC Copper, UV Protected.
2. DC Fuse: 50 Ampere
3. DC Isolator: 63 Ampere
4. Solar Invertor: 20 kVA
5. AC Isolator: 32 Ampere
6. AC Cable: 4C, 6/10 Sq.mm, XLPE / PVC (Copper / Aluminium)
7. Distribution Board (DB): 32 Ampere TPN MCB DB (4Way)
 - a. Incomer MCB: 32 Ampere
 - b. Outgoing MCB: 6/10 Ampere
8. Consumer Main Switch: 32 Ampere
9. Cut out fuse.