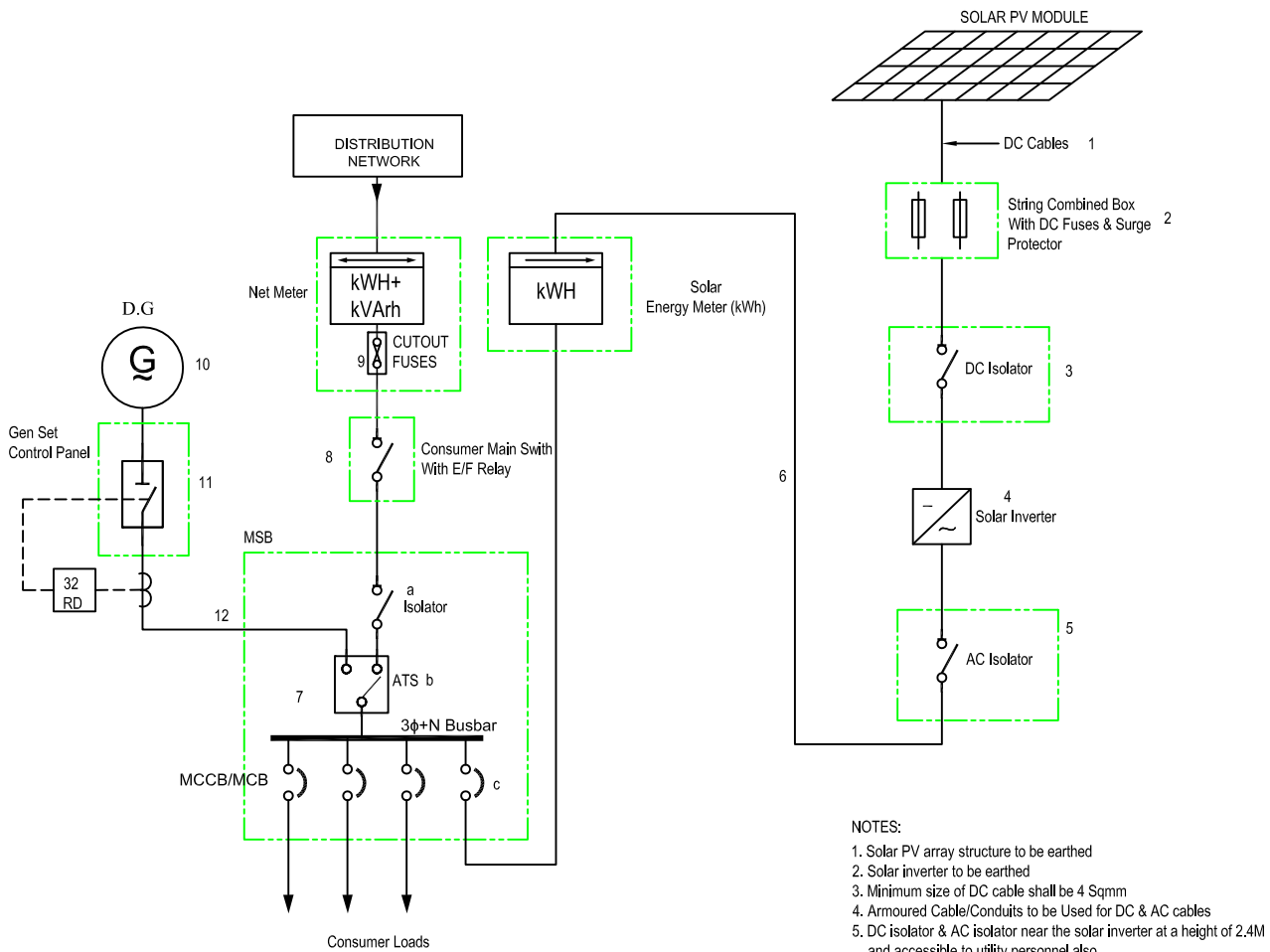


Solar System 20kWp, 3 Phase with DG.



NOTES:

1. Solar PV array structure to be earthed
2. Solar inverter to be earthed
3. Minimum size of DC cable shall be 4 Sqmm
4. Armoured Cable/Conduits to be Used for DC & AC cables
5. DC isolator & AC isolator near the solar inverter at a height of 2.4M and accessible to utility personnel also
6. Net meter & solar meter at convenient location for reading
7. DG set to have electronic governer & AVR
8. Reverse power relay required for DG set

GRID TIED SOLAR POWER SYSTEM WITH DG BACK UP

NOTES:

1. DC Cable: 2C, 10Sq. mm, XLPE / 16Sq.mm. PVC Copper, UV protected.
2. DC Fuse: 50 Ampere
3. DC Isolator: 63 Ampere
4. Solar Invertor: 20 kVA
5. AC Isolator: 32 Ampere
6. AC Cable: 4C, 6/10Sq.mm, XLPE / PVC (Copper / Aluminium)
7. Main Switch Board (MSB): 32 Ampere TPN MCB DB (4Way)
 - a. Incomer MCB Isolator: 32 Ampere, 4 way
 - b. ATS: 32 Ampere
 - c. Outgoing MCB: 6/10 Ampere
8. Consumer Main Switch: 32 Ampere
9. Cut out fuse.
10. Generator: 415V, 50Hz, 3 Phase, 20kVA
11. MCB: 32 Ampere
12. Cable: 4C, 10 Sq.mm., AYFY