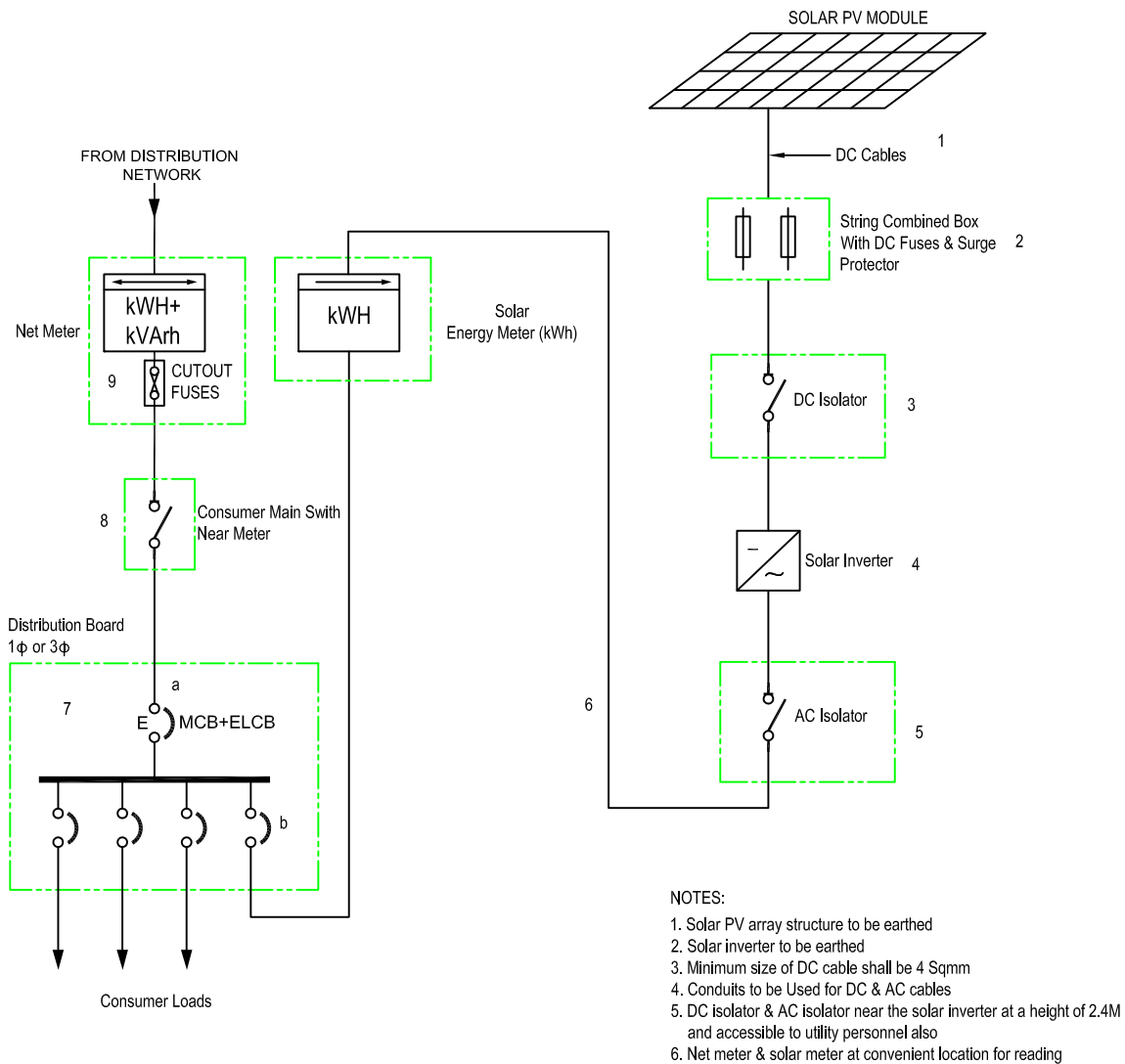


# Solar System 10 kWp, 3 Phase.



## GRID CONNECTED SOLAR PV SYSTEM

### NOTES:

1. DC Cable: 2C, 4Sq. mm, XLPE / PVC Copper, UV Protected.
2. DC Fuse: 25 Ampere
3. DC Isolator: 32 Ampere
4. Solar Invertor: 10 kVA
5. AC Isolator: 16 Ampere
6. AC Cable: 4C, 4Sq.mm, XLPE / PVC (Copper / Aluminium)
7. Distribution Board (DB): 16 Ampere TPN MCB DB (4Way)
  - a. Incomer MCB: 16 Ampere
  - b. Outgoing MCB: 6/10 Ampere
8. Consumer Main Switch: 16 Ampere
9. Cut out fuse.