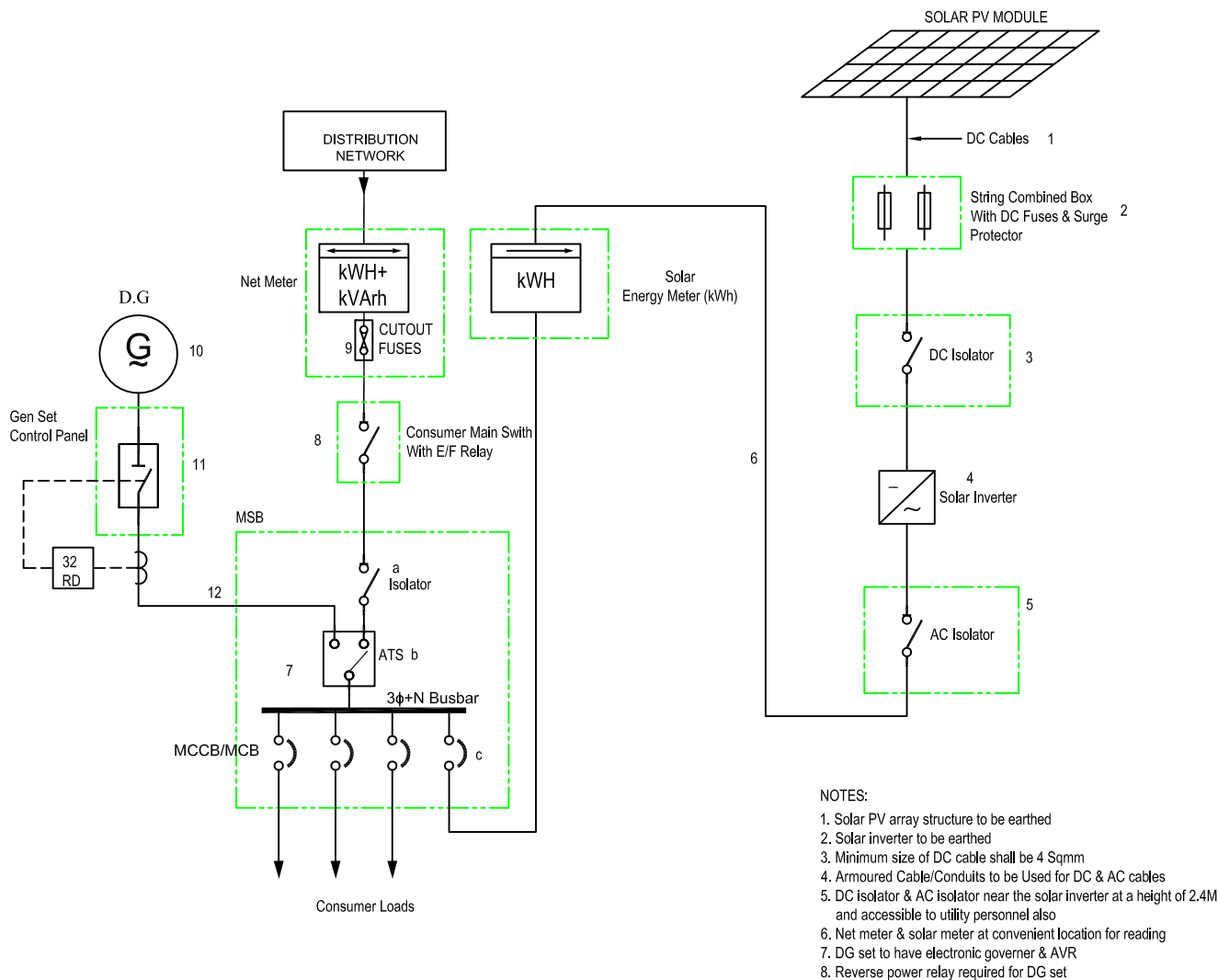


Solar System 10kWp, 3 Phase with DG.



GRID TIED SOLAR POWER SYSTEM WITH DG BACK UP

NOTES:

- DC Cable: 2C, 4Sq. mm, XLPE / PVC Copper, UV protected.
- DC Fuse: 25 Ampere
- DC Isolator: 32 Ampere
- Solar Invertor: 10 kVA
- AC Isolator: 16 Ampere
- AC Cable: 4C, 4Sq.mm, XLPE / PVC (Copper / Aluminium)
- Main Switch Board (MSB): 16 Ampere TPN MCB DB (4Way)
 - Incomer MCB Isolator: 16 Ampere, 4 way
 - ATS: 16 Ampere
 - Outgoing MCB: 6/10 Ampere
- Consumer Main Switch: 16 Ampere
- Cut out fuse.
- Generator: 415V, 50Hz, 3 Phase, 10kVA
- MCB: 16 Ampere
- Cable: 4C, 4 Sq.mm., AYFY